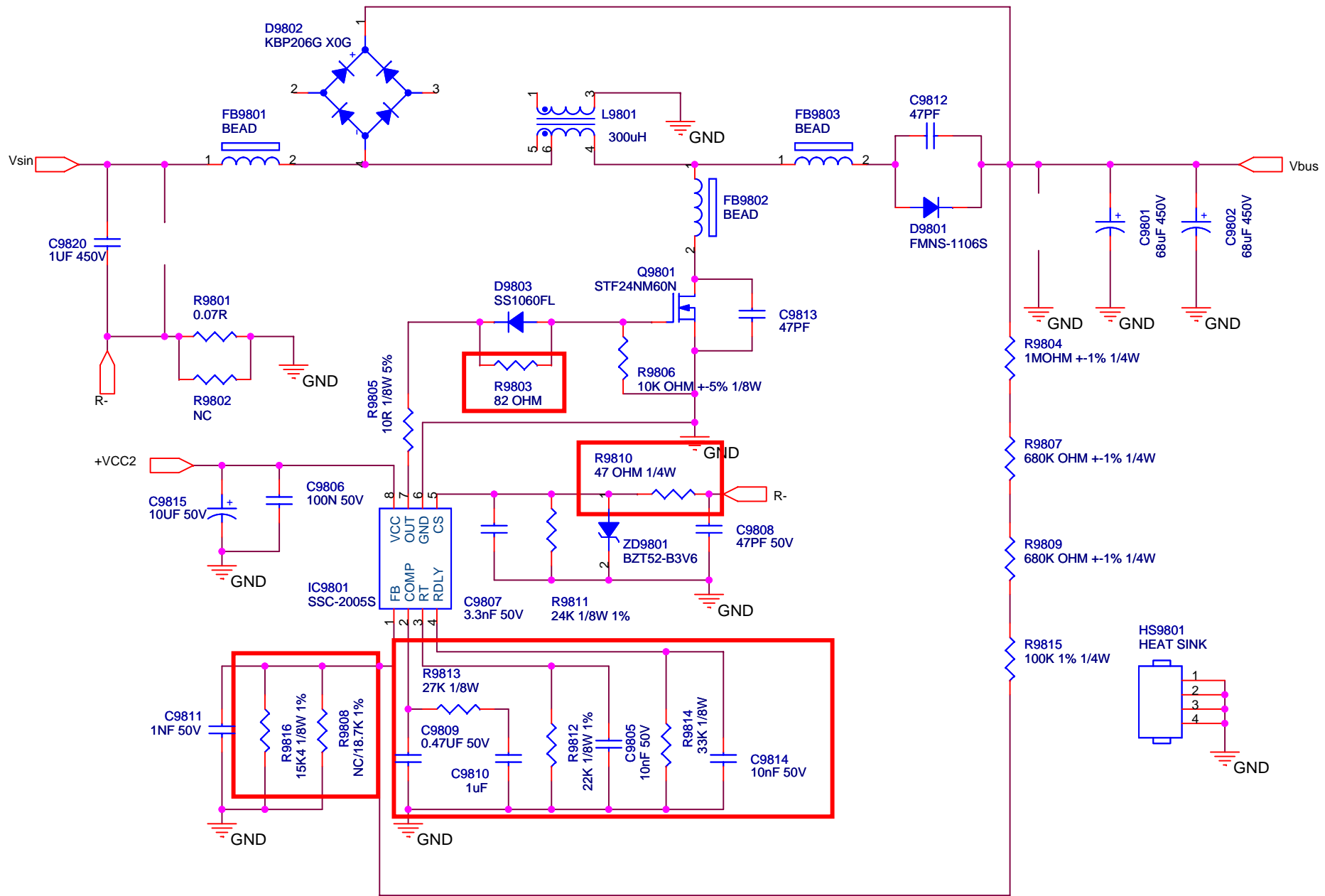
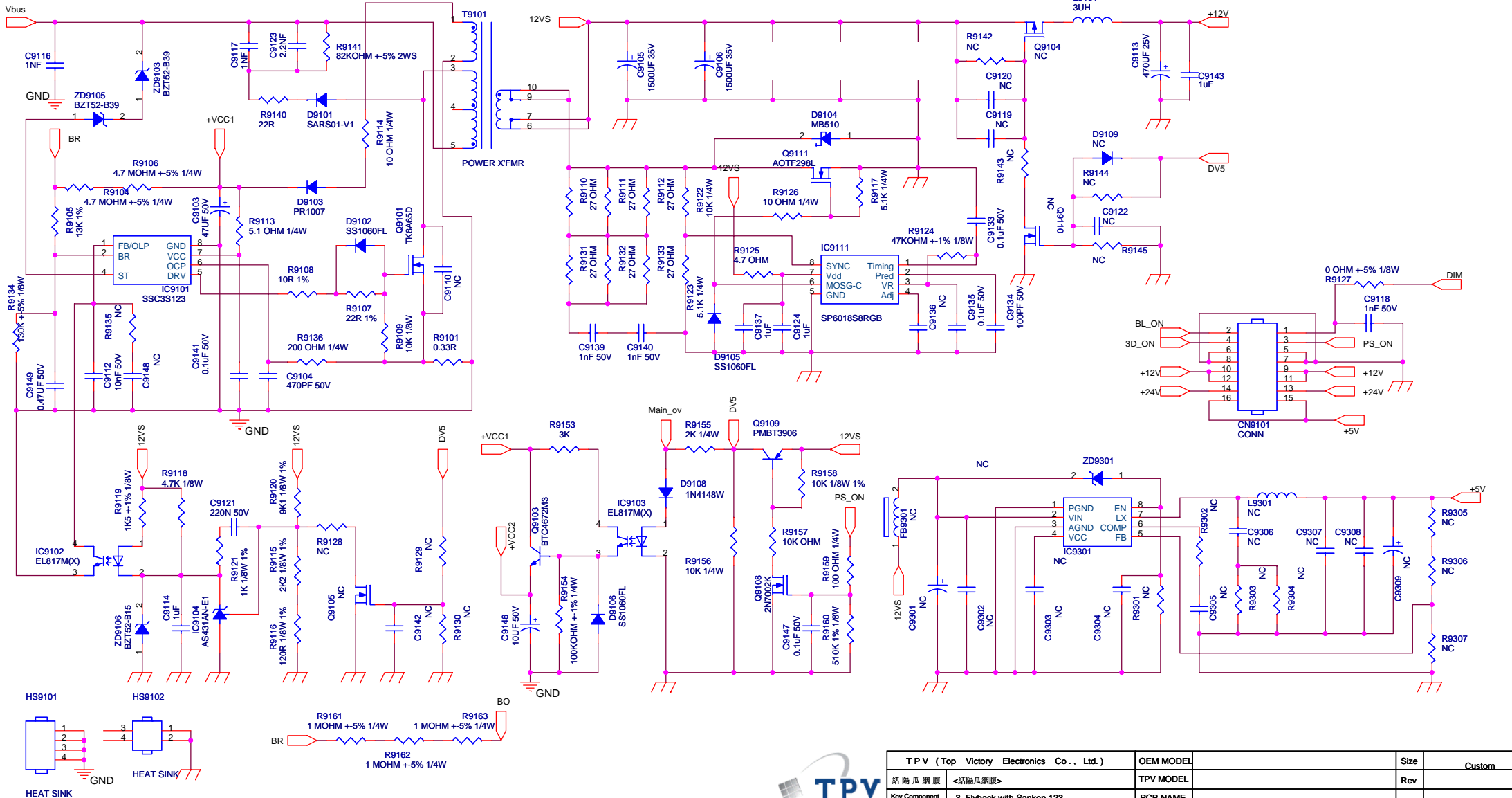


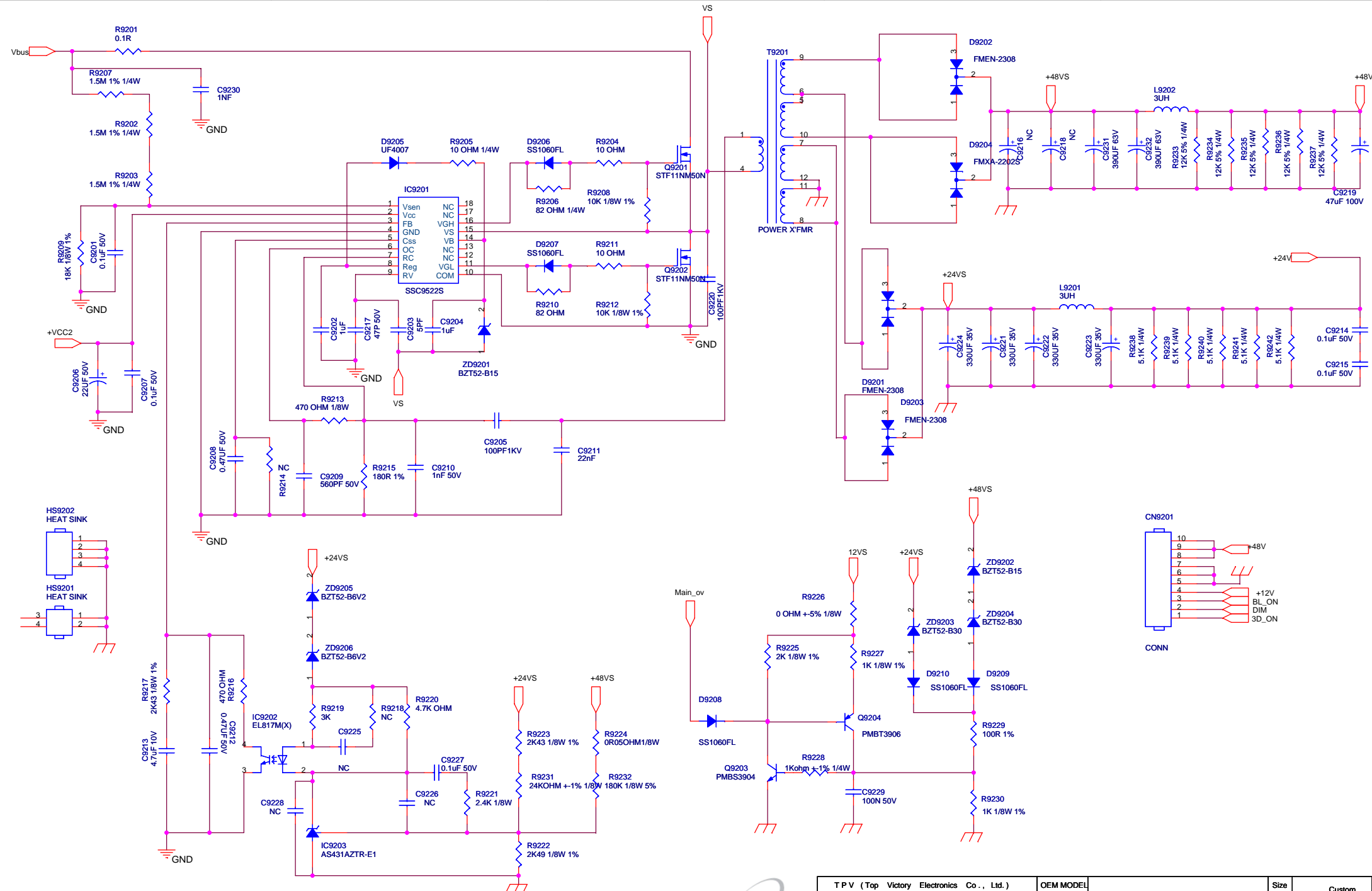
| | | | | |
|---|---------------------------|-----------|--------|--------|
| TPV (Top Victory Electronics Co., Ltd.) | | OEM MODEL | Size | Custom |
| 結構瓜網腹 | <結構瓜網腹> | TPV MODEL | Rev | |
| Key Component | 01.AC input | PCB NAME | 称爹 | |
| Date | Friday, December 27, 2013 | Sheet | 1 of 4 | |



| | | | | | |
|---------------|---|-----------|--------|------|--------|
| | TPV (Top Victory Electronics Co., Ltd.) | OEM MODEL | | Size | Custom |
| | 結構瓜網腹 <結構瓜網腹> | TPV MODEL | | Rev | |
| Key Component | 02. PFC with Sanken | PCB NAME | | 称爹 | |
| Date | Friday, December 27, 2013 | Sheet | 2 of 4 | | |



| | | | | |
|---|----------------------------|-----------|--------|--------|
| TPV (Top Victory Electronics Co., Ltd.) | OEM MODEL | | Size | Custom |
| 结构瓜铜膜 | <结构瓜铜膜> | TPV MODEL | | Rev |
| Key Component | 3. Flyback with Sanken 123 | PCB NAME | | 称参 |
| Date | Friday, December 27, 2013 | Sheet | 3 of 4 | |



| | | | | | |
|---|---------------------------|------------------------------|----------|------|--------|
| TPV (Top Victory Electronics Co., Ltd.) | | OEM MODEL | | Size | Custom |
| 結構瓜網膜 | | TPV MODEL | | Rev | |
| Key Component | | 4.LLC with Sanken LED Driver | PCB NAME | | |
| Date | Friday, December 27, 2013 | Sheet | 4 of 4 | 称差 | |